



ARISTON

SPARE PARTS EXPLODED VIEW GAS-WALL CONDENSING BOILERS

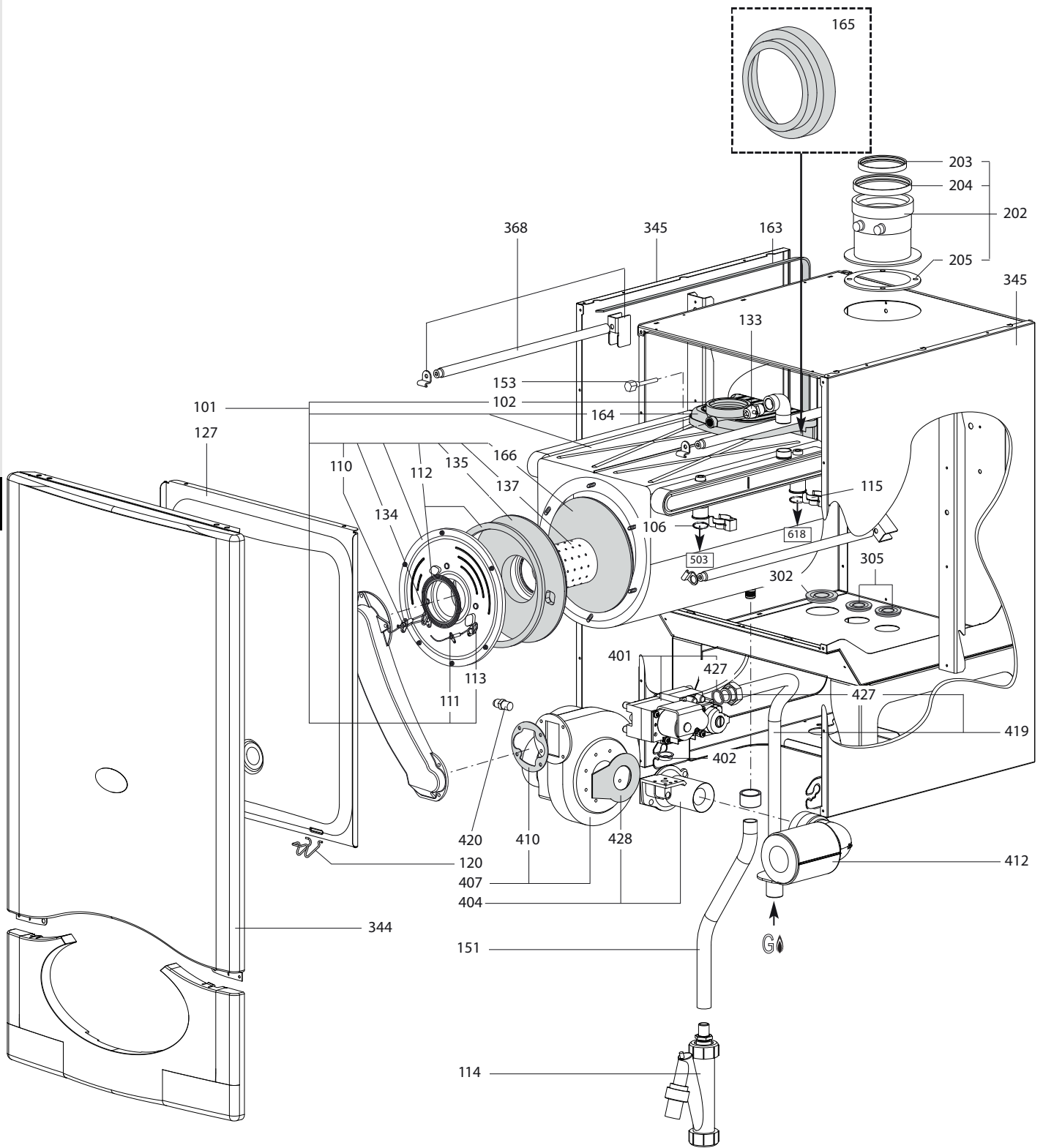
Model

GENUS PREMIUM EVO HP

R8203399-03 - 20/03/2018

1	3581415	GENUS PREMIUM EVO HP 45KW	07-2013	-
1	3581576	GENUS PREMIUM EVO HP 45KW CN	06-2015	-
2	3581416	GENUS PREMIUM EVO HP 65KW	07-2013	-
2	3581577	GENUS PREMIUM EVO HP 65KW CN	06-2015	-
3	3581417	GENUS PREMIUM EVO HP 85KW	07-2013	10-2015
3	3581578	GENUS PREMIUM EVO HP 85KW CN	06-2015	-
4	3581418	GENUS PREMIUM EVO HP 100KW	07-2013	10-2015
5	3581419	GENUS PREMIUM EVO HP 115KW	07-2013	10-2015
6	3581420	GENUS PREMIUM EVO HP 150KW	07-2013	10-2015
7	3581564	GENUS PREMIUM EVO HP 45KW EU	11-2015	-
8	3581565	GENUS PREMIUM EVO HP 65KW EU	11-2015	-
9	3581566	GENUS PREMIUM EVO HP 85KW EU	11-2015	-
10	3581567	GENUS PREMIUM EVO HP 100KW EU	11-2015	-
11	3581568	GENUS PREMIUM EVO HP 115KW EU	11-2015	-
12	3581569	GENUS PREMIUM EVO HP 150KW EU	11-2015	-

Col	Reference	Model type	Begin	End
-----	-----------	------------	-------	-----



GENUS EVO HP 45
 GENUS EVO HP 65
 GENUS EVO HP 85
 GENUS EVO HP 100
 GENUS EVO HP 115
 GENUS EVO HP 130
 GENUS EVO HP 145 EU
 GENUS EVO HP 165 EU
 GENUS EVO HP 185 EU
 GENUS EVO HP 200 EU
 GENUS EVO HP 215 EU
 GENUS EVO HP 230 EU

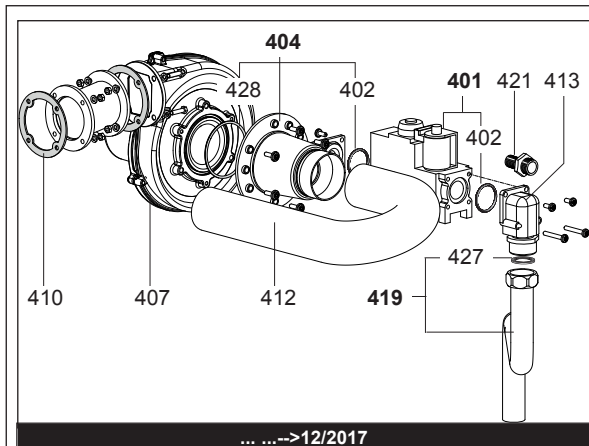
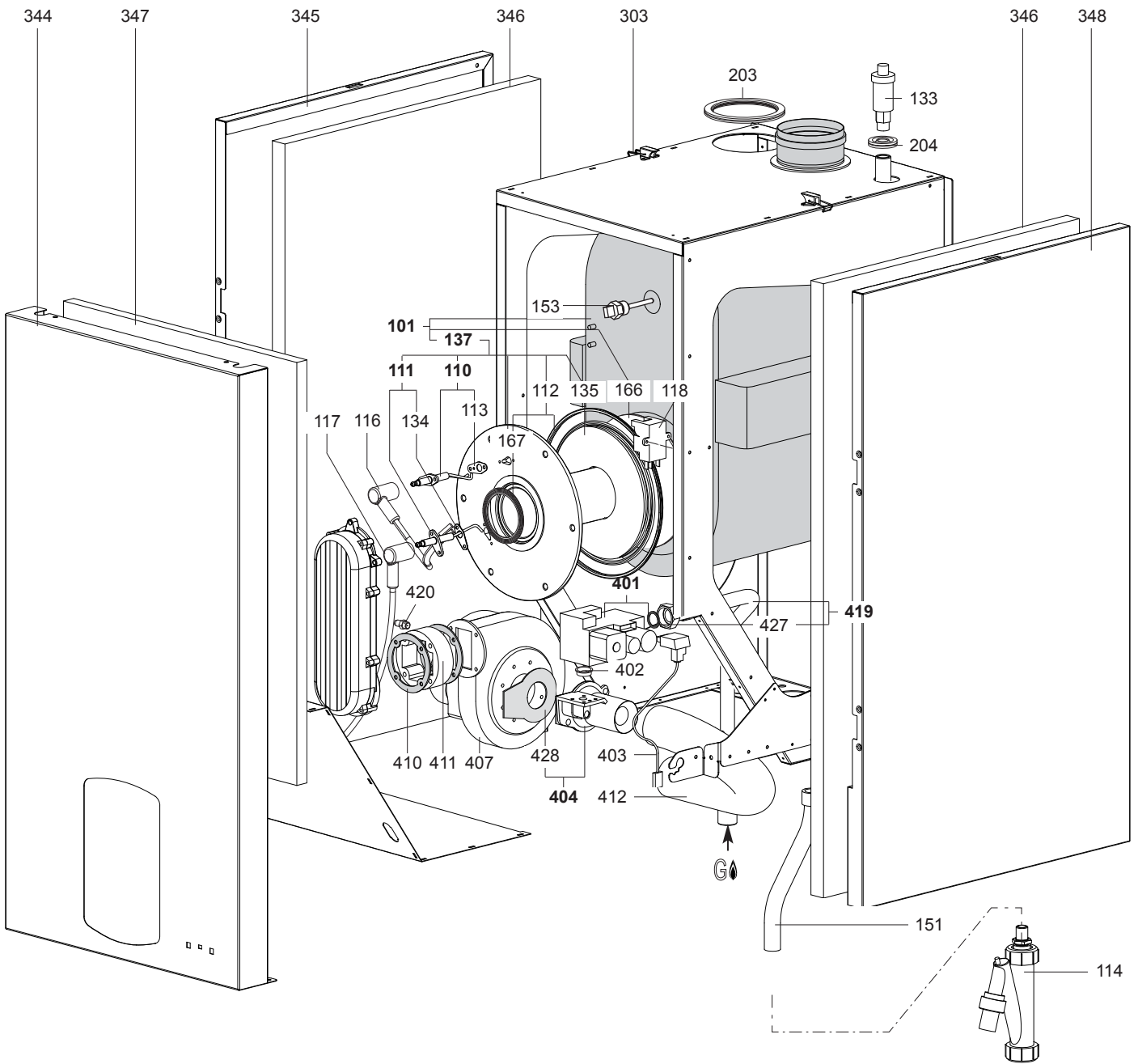
31

Description	Manf. Pt. N	Type	GENUS EVO HP/ EU																	
			1	2	3	4	5	6	7	8	9	10	11	12	13	14	15	16	17	18
0100 BURNER ASSEMBLY																				
0101 HEAT EXCHANGER (45KW)	65107344		•							•										
HEAT EXCHANGER (65KW)	65107347			•							•									
0102 GASKET (/Heat exchanger)	64201775		•	•						•	•									
0106 O-RING 39.45X1.78	65107364		•	•						•	•	•								
0110 IGNITION ELECTRODE	61317432		•	•						•	•	•								
0111 IONISATION ELECTRODE GENUS HP 45-65	64202273		•	•						•	•	•								
0112 DOOR GASKET	60000672-01		•	•						•	•	•								
0113 GASKET (IONIZATION ELECTRODE)	65103476		•	•						•	•	•								
0114 TRAP	64201689		•	•						•	•	•								
0115 CLIP	65107379		•	•						•	•	•								
0120 SPRING FRONT PANEL (KIT)	65107048		•	•						•	•	•								
0127 PANEL (FRONT - SEALED CHAMBER)	65105679-02		•	•						•	•	•								
0133 FILL/DRAIN VALVE 1/2" GENUS HP 45-65	65107343		•	•						•	•	•								
0134 GASKET (IGNITION ELECTRODE)	65103367		•	•						•	•	•								
0135 PANEL (INSULATION)	64203129		•	•						•	•	•								
0137 BURNER 45Kw	65107367		•							•										
BURNER 65KW	65107368			•	•						•									
0151 DISCHARGE PIPE (CONDENSATE)	64202180		•	•						•	•	•								
0153 FLUE GAS SENSOR	65107342		•	•						•	•	•								
0163 GASKET 12X3X20000 mm NEOPR.	12016166		•	•						•	•	•								
0164 EXCHANGER SUPPORT	65107366		•	•						•	•	•								
0165 EXCHANGER GASKET	65107365		•	•						•	•	•								
0166 PANEL (INSULATION - REAR)	65103361		•	•						•	•	•								
0200 FAN ASSEMBLY																				
0202 ADAPTER 80/125	65107369		•	•						•	•	•								
0203 GASKET D:80	64201777		•	•						•	•	•								
0204 GASKET D:125	64201776		•	•						•	•	•								
0205 BLACK GASKET D:168-126-2	64201774		•	•						•	•	•								
0300 SEALED CASE																				
0302 GASKET	65107341		•	•						•	•	•								
0305 GASKET (/ Flue bend turret)	64200254		•	•						•	•	•								
0344 FRONT PANEL	65107397		•	•						•	•	•								
0345 SIDE PANEL (L.H. SIDE)	65107362		•	•						•	•	•								
0368 FIXING KIT 45KW	65107348		•							•										
FIXING KIT 65Kw	65107349			•							•									
0400 GAS SECTION																				
0401 GAS VALVE	65000261		•	•						•	•	•								
0402 GASKET	12076699		•	•						•	•	•								
0404 VENTURI 45Kw	65107345		•							•										
VENTURI 65KW	65000269			•							•									
0407 FAN ASSY	64280528			•							•									
FAN ASSY 35-45Kw	65107346		•								•									
0410 GASKET	65000350		•	•						•	•	•								
0412 SILENCER	64200261		•	•						•	•	•								
0419 GAS PIPE 45Kw	65107357		•							•										
GAS PIPE 65KW	65107359			•							•									
0420 TEST POINT 1/8	64211101		•	•						•	•	•								
0427 SHEET GASKET D: 24-17-2	64201915		•	•						•	•	•								
0428 GASKET	64201334		•	•						•	•	•								

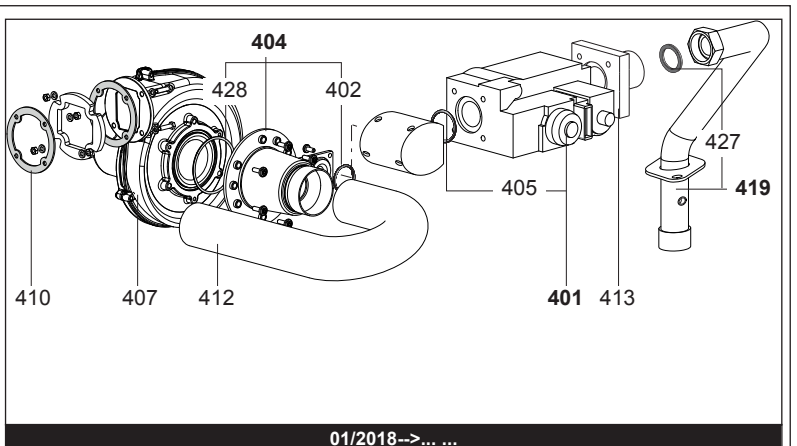
100
200
300
400

GENUS PREMIUM EVO HP/EU

Gas-wall condensing boilers

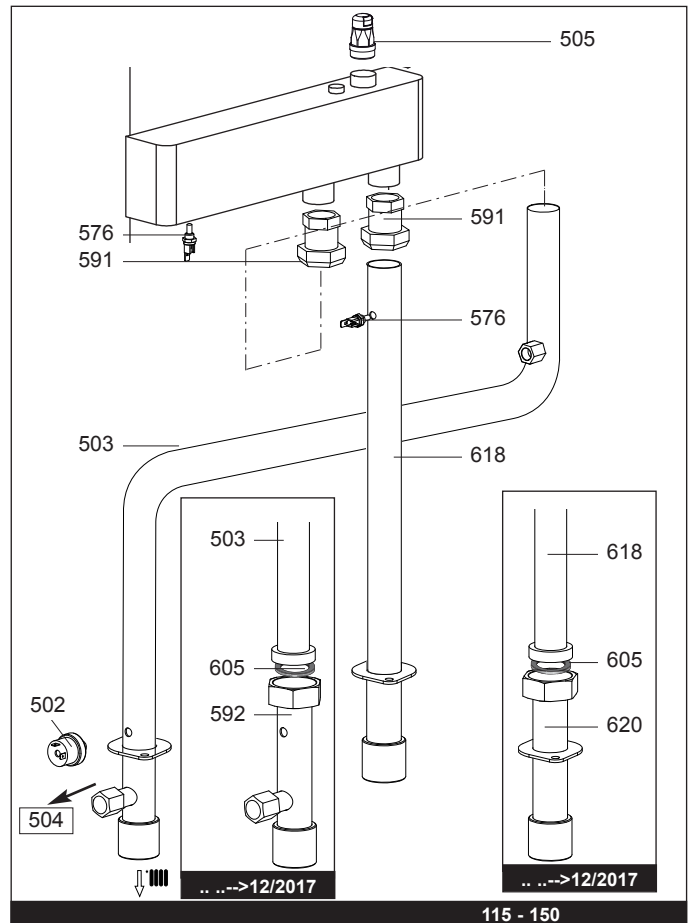
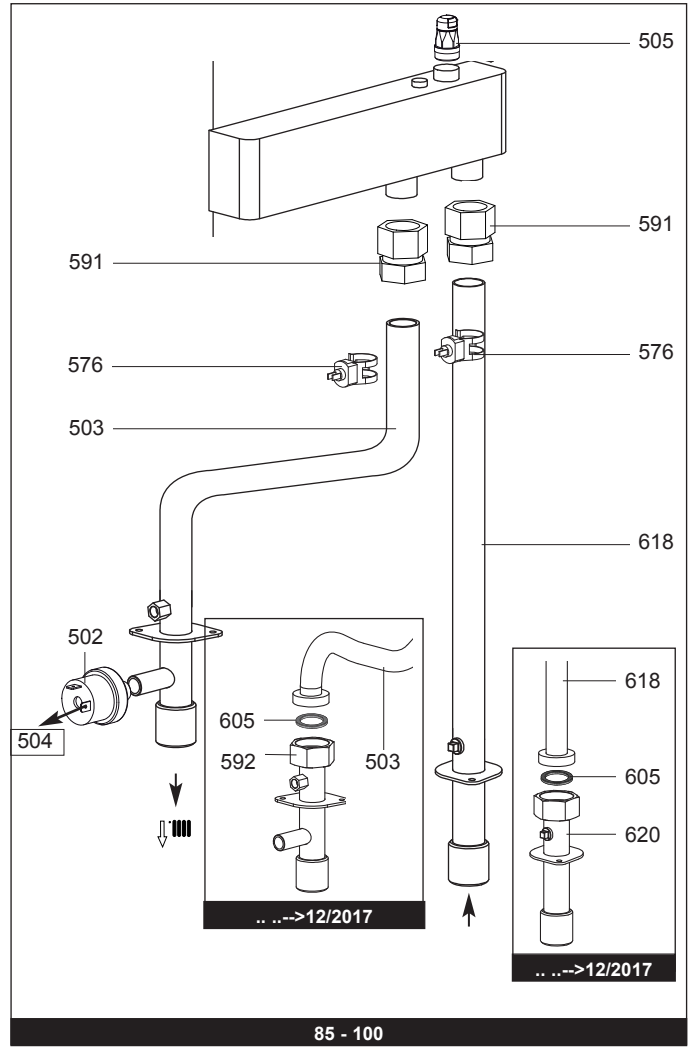
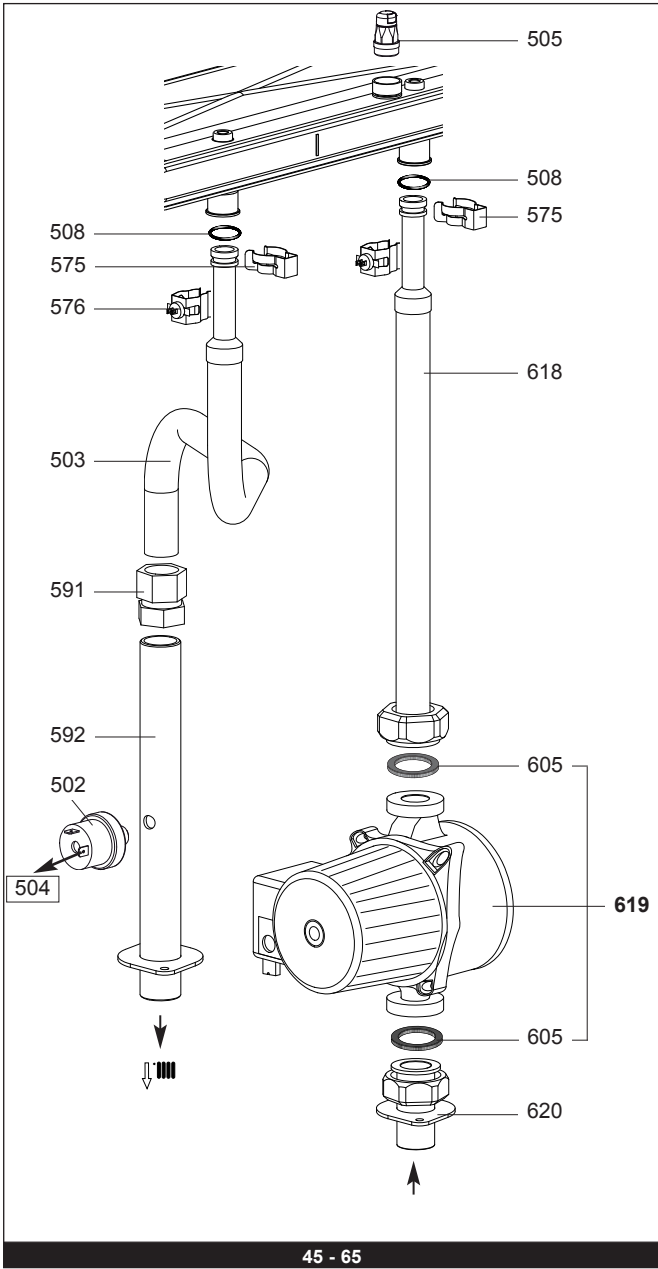


... ..->12/2017

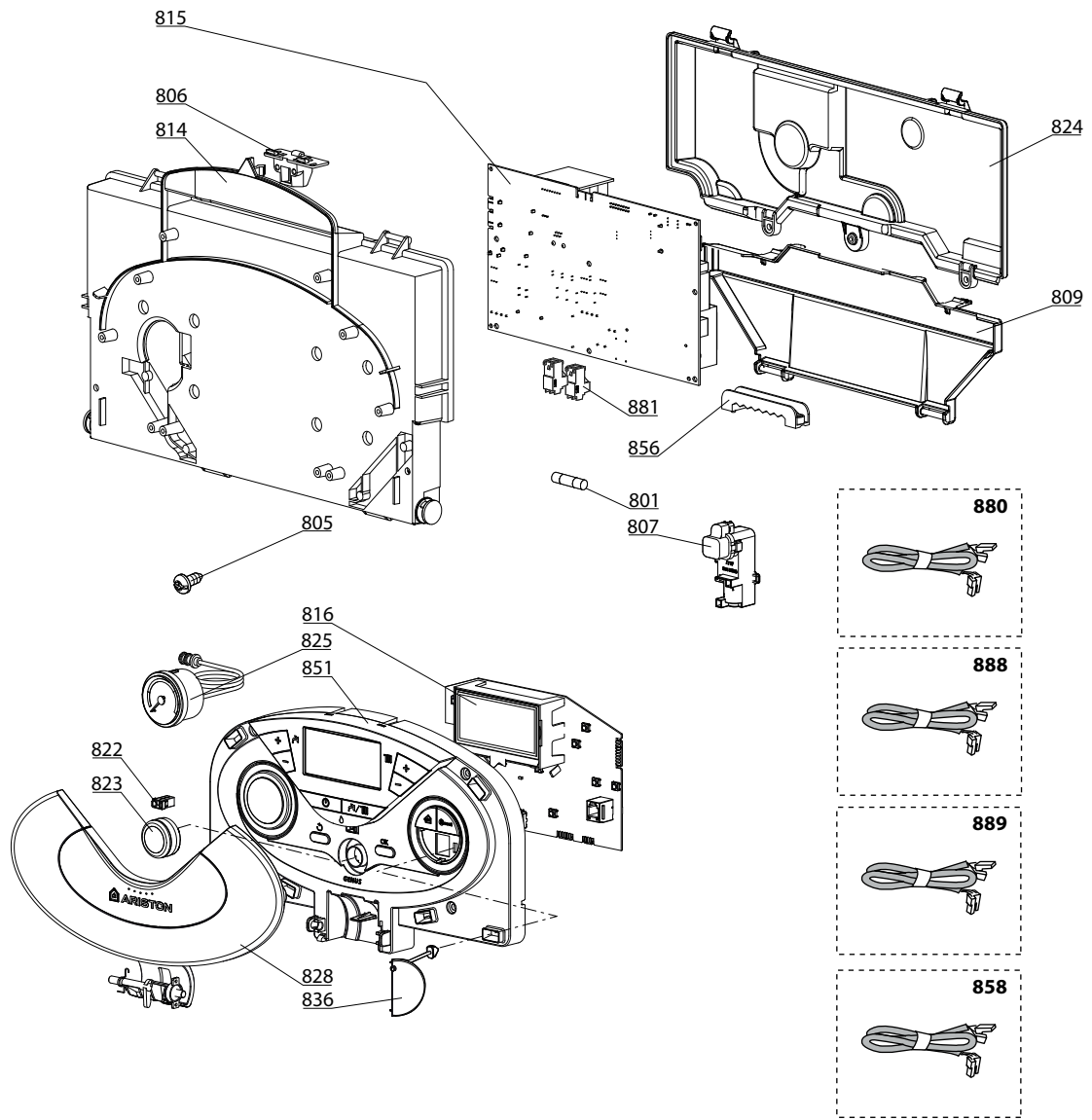


01/2018->... ..

115-150

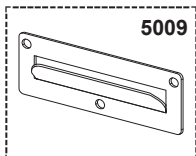


☉⇒	Description	Manf. Pt. N	Type	GENUS EVO HP 45 GENUS EVO HP 65 GENUS EVO HP 85 GENUS EVO HP 100 GENUS EVO HP 115 GENUS EVO HP 150 GENUS EVO HP 45 EU GENUS EVO HP 65 EU GENUS EVO HP 85 EU GENUS EVO HP 100 EU GENUS EVO HP 115 EU GENUS EVO HP 150 EU																		From	to
				1	2	3	4	5	6	7	8	9	10	11	12	13	14	15	16	17	18		
0500	FLOW GROUP																						
0502	PRESSURE SWITCH	64202146		•	•	•	•	•	•	•	•	•	•	•	•	•	•	•	•				
0503	PIPE (C.H. FLOW) 100 KW	64203258					•													01/18			
	PIPE (C.H. FLOW) 100Kw	64202195					•														12/17		
	PIPE (C.H. FLOW) 115-150Kw	64202196						•	•												12/17		
	PIPE (C.H. FLOW) 150-150 KW	64203260						•	•											01/18			
	PIPE (C.H. FLOW) 45Kw	65107354		•						•													
	PIPE (C.H. FLOW) 65KW	65107358			•						•												
	PIPE (C.H. FLOW) 85 KW	64203256					•					•								01/18			
	PIPE (C.H. FLOW) 85Kw	64202194					•						•								12/17		
0505	FILL/DRAIN VALVE 1/2" GENUS HP 45-65	65107343		•	•					•	•												
0508	O-RING 39.45X1.78	65107364		•	•					•	•												
0575	CLIP	65107379		•	•					•	•												
0576	TEMPERATURE PROBE + CLIP	64201656				•	•					•	•										
	TEMPERATURE PROBE + CLIP	64202192						•	•										•	•			
	TEMPERATURE PROBE + CLIP	990686-01		•	•					•	•												
0591	CONNECTION 28MMx1" INS GALVANISED	64201314		•	•	•	•			•	•	•	•										
	CONNECTION 28MMx1" INS GALVANISED	64201314								•	•								•	•	01/18		
	STRAIGHT COUPLING 35mm 1"	64202200								•	•								•	•		12/17	
0592	FLOW CONNECTION	64201661				•	•					•	•								12/17		
	FLOW CONNECTION	65107353		•	•					•	•												
	FLOW CONNECTION	64202198						•	•										•	•		12/17	
0600	RETURN GROUP																						
0605	GASKET 1"1/2 44x32	12013460		•	•			•	•	•	•								•	•			
	GASKET NEOPR. D: 44-32-2 TRIGON L	64202163				•	•					•	•										
0618	PIPE (C.H. RETURN)	64200249				•	•					•	•								12/17		
	PIPE (C.H. RETURN)	64202193								•	•								•	•		12/17	
	PIPE (C.H. RETURN)	65107355		•	•						•	•											
	PIPE (C.H. RETURN) 115-150 KW	64203259								•	•								•	•			
	PIPE (C.H. RETURN) 85-100 KW	64203257				•	•					•	•							01/18			
0619	PUMP WILO RS 25/7-2 130 EMK 23	65115896	CHINA	•										•	•					01/18			
	PUMP WILO STRATOS PARA 25/1-9 PWM	64202621			•							•											
	PUMP WILO YONOS PARA 25/7,5 PWM	64202620		•							•												
0620	PIPE (C.H. RETURN)	64201660				•	•					•	•								12/17		
	PIPE (C.H. RETURN)	64202197						•	•										•	•		12/17	
	PIPE (C.H. RETURN)	65107356		•	•					•	•												



5000

- 5001**
 Transf. gaz > GPL
 Conv. gas > GPL
 Trasn. gas > GPL
 Transf. gas > GPL



	Description	Manf. Pt. N	Type	GENUS EVO HP 45 GENUS EVO HP 65 GENUS EVO HP 85 GENUS EVO HP 100 GENUS EVO HP 115 GENUS EVO HP 150 GENUS EVO HP 45 EU GENUS EVO HP 65 EU GENUS EVO HP 85 EU GENUS EVO HP 100 EU GENUS EVO HP 115 EU GENUS EVO HP 150 EU																			
				1	2	3	4	5	6	7	8	9	10	11	12	13	14	15	16	17	18	From	to
0800	ELECTRICAL BOX																						
0801	FUSE 250V 2A	61003456		•	•	•	•	•	•	•	•	•	•										
0805	TAPPING SCREW TCBL D:4 L:10	61020509		•	•	•	•	•	•	•	•	•	•										
0806	PUSH	65104228		•	•	•	•	•	•	•	•	•	•										
0807	TRANSFORMER ZAG2 10Va	64201912		•	•	•	•	•	•	•	•	•	•										
0809	INSPECTION COVER	60001618		•	•	•	•	•	•	•	•	•	•										
0814	CONTROL PANEL COVER (FRONT)	60001616-01		•	•	•	•	•	•	•	•	•	•										
0815	P.C.B. (MAIN)	65113369		•	•	•	•	•	•	•	•	•	•										
0816	P.C.B. (DISPLAY)	65111882-02		•	•	•	•	•	•	•	•	•	•										
0822	PUSH (CASE DOOR)	65100676		•	•	•	•	•	•	•	•	•	•										
0823	KNOB	65111927		•	•	•	•	•	•	•	•	•	•										
0824	CONTROL PANEL COVER (REAR)	60001617		•	•	•	•	•	•	•	•	•	•										
0825	PRESSURE GAUGE 4Bars L:1000	60002222		•	•																		
	PRESSURE GAUGE 6Bars L:1000	60002223							•	•													
0828	FRONT COVER	65104306		•	•	•	•	•	•	•	•	•	•										
0836	SHIELD	65111886		•	•	•	•	•	•	•	•	•	•										
0851	FRONT CONTROL PANEL COMPLETE	60002224		•	•	•	•	•	•	•	•	•	•										
0856	CABLE CLAMP	65103377		•	•	•	•	•	•	•	•	•	•										
0858	CABLE PWM PUMP	65115552	PARA	•	•					•	•												
0880	CABLE (GAS VALVE)	64202190							•	•				•	•								
	CABLE (GAS VALVE)	65107360		•	•		•				•			•	•								
	CABLE (IGNITION ELECTRODE)	64201658					•		•	•				•	•								
	CABLE (IONIZATION ELECTRODE)	64201657					•		•	•				•	•								
	CABLE (PUMP)	65115551	PARA	•	•						•	•											
	DISPLAY WIRING - 5 WIRES BLUES	60000746		•	•	•	•	•	•	•	•	•	•										
	EARTH CABLE (SPARK GENERATOR)	65107361		•	•						•	•											
	INTERCONNECTION CABLE - 3 WIRES	60001884		•	•	•	•	•	•	•	•	•	•										
	PUMP CABLE	60002214	PARA	•	•																		
	PUMP CABLE	60002214	RGS	•	•																		
0881	CONNECTOR 2P	65111933		•	•	•	•	•	•	•	•	•	•										
	CONNECTOR 3P (x5)	65111934-01		•	•	•	•	•	•	•	•	•	•										
0888	NTC - OVERHEAT - PRESSURE SENSOR CABLE	60002213		•	•					•	•												
	NTC - OVERHEAT - PRESSURE SENSOR CABLE	60002220				•	•					•	•										
	NTC - OVERHEAT - PRESSURE SENSOR CABLE	60002221					•	•					•	•									
0889	FAN-GAS VALVE CABLE (230V)	60002212		•						•													
	FAN-GAS VALVE CABLE (230V)	60002217			•						•												
	FAN-GAS VALVE CABLE (230V)	60002218				•	•					•	•										
	FAN-GAS VALVE CABLE (230V)	60002219					•	•					•	•									
5001	CONVERSION KIT > LPG	64201566		•	•					•	•												
	CONVERSION KIT > LPG 100 KW	64202966					•					•											
	CONVERSION KIT > LPG 115-150 KW	64202967						•	•														
	CONVERSION KIT > LPG 85 KW	64202965				•						•											
5009	WALL MOUNT BRACKET GENUS HP 85-150	64202950				•	•	•	•			•	•	•	•								
	WALL MOUNT BRACKET GENUS HP 45-65	64202949		•	•					•	•												

LIST OF THE ABBREVIATIONS

HW	: Hot water.
CW	: Cold water.
C	: Ceramic resistance (normal heating).
Ca	: Ceramic resistance (accelerated heating)
TP	: Immersion heater.
1F	: With fittings.
2F	: Without fittings.
3F	: With fittings and another outlet connection.
AMI	: With mixing valve.
SMI	: Without mixing valve.
PUISS	: Power of th appliance.
PN	: Appliance with normal pression.
LP	: Appliance with low pression.
PV	: Appliance with variable power.
PF	: Appliance with fixed power.

IDENTIFICATION PLATE

SERIAL NUMBER

10 Characters :	04 05 125 011	Sequential number Manufacturing day Year of manufacture
11 Characters :	1 95 065004 - 31	Technical number of the appliance Sequential number Year of manufacture
Month of manufacture : from 1 to 9 → Jan. to Sep., O → Oct., N → Nov., D → Dec.		
19 Characters :	08 05 0013199 900640031	Product reference Sequential number
Year of manufacture Month of manufacture		
20 Characters :	3675007 XX 2 07 070 00315	Sequential number Manufacturing day Year of manufacture
Product reference Millenium of manufacture		
21 Characters :	3675007 XX 07 070 0000315	Sequential number Manufacturing day
Product reference Year of manufacture		