



SPARE PARTS EXPLODED VIEW
GAS-WALL BOILER ATM. BURNER

Model
CLAS X

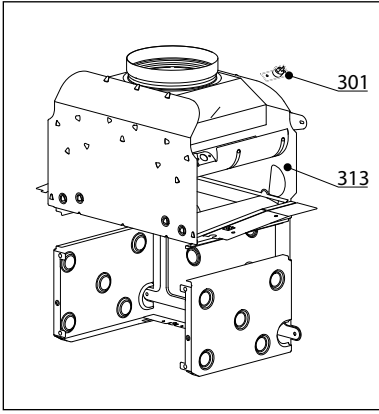
R8203476-03 - 24/09/2018

CLAS X

Gas-wall boiler atm. burner

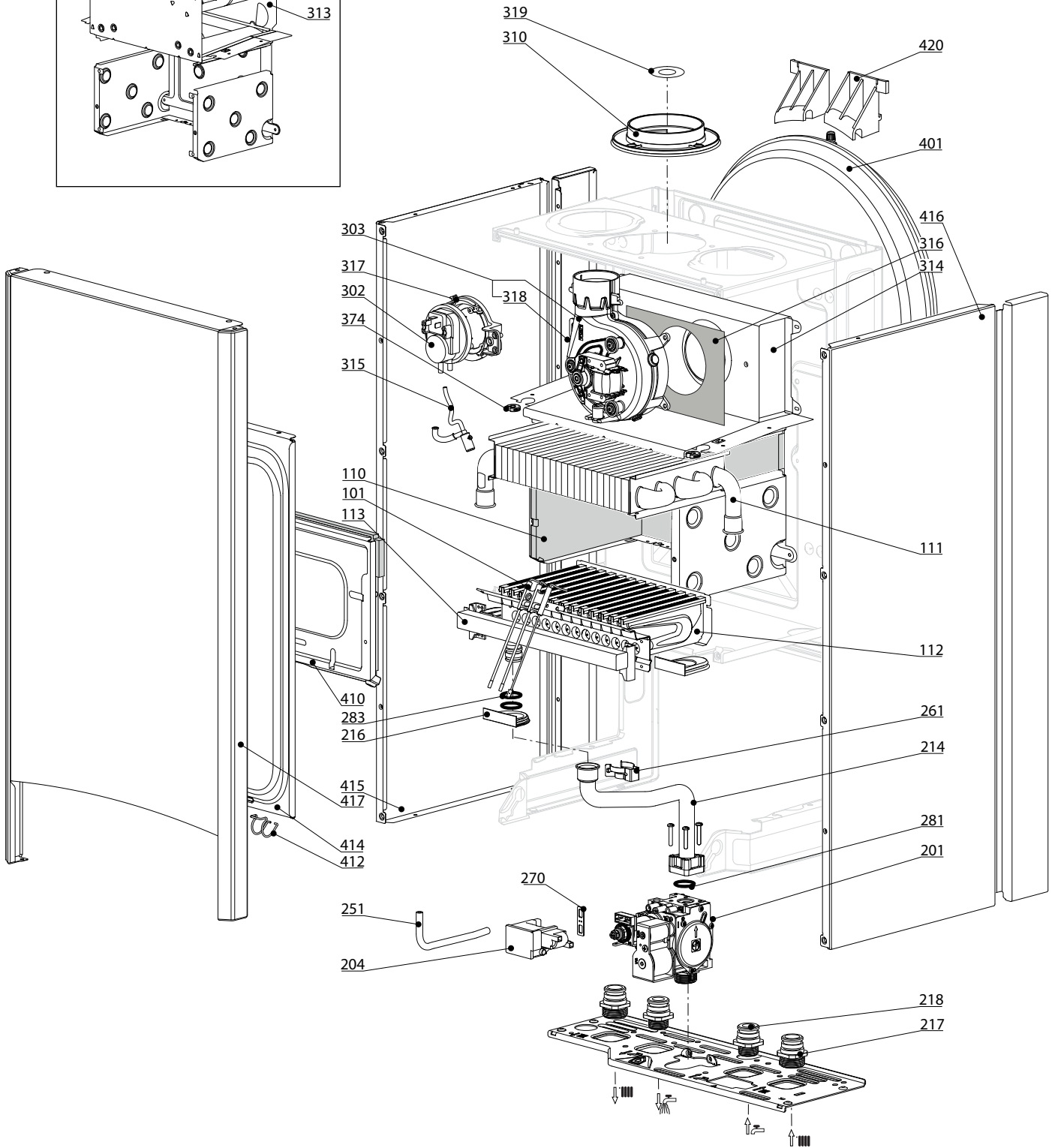
1	3300875	CLAS X SYSTEM 15 CF NG (RU)	12-2016	-
2	3300876	CLAS X SYSTEM 24 CF NG (RU)	12-2016	-
3	3300872	CLAS X SYSTEM 15 FF NG (RU)	12-2016	-
4	3300873	CLAS X SYSTEM 24 FF NG (RU)	12-2016	-
5	3300874	CLAS X SYSTEM 32 FF NG (RU)	12-2016	-
Col	Reference	Model type	Begin	End

100
200
300
400

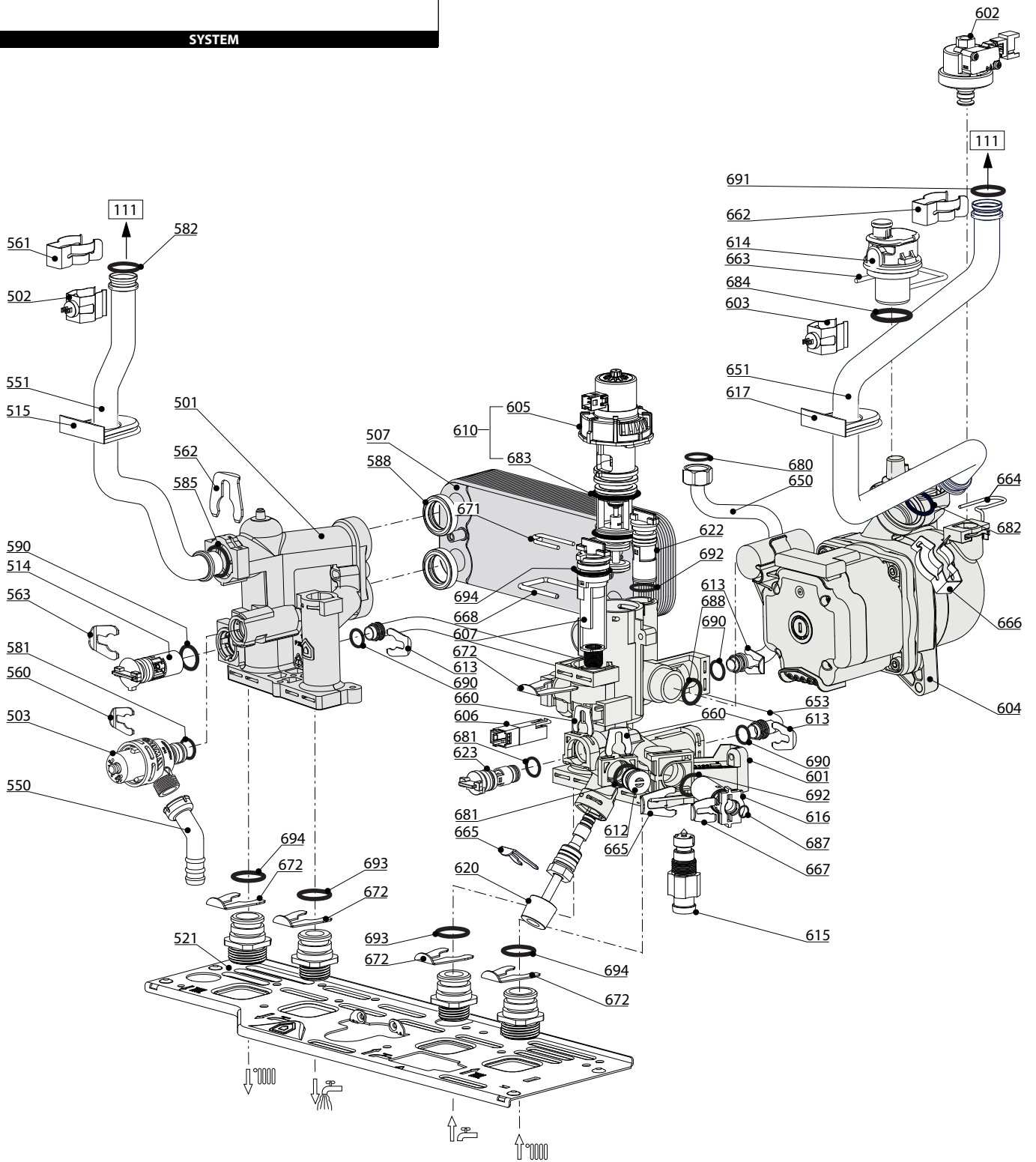
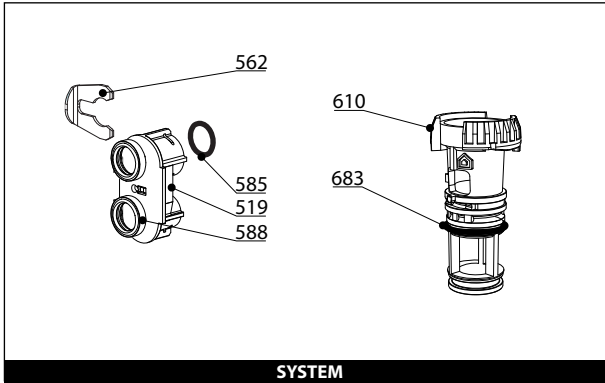


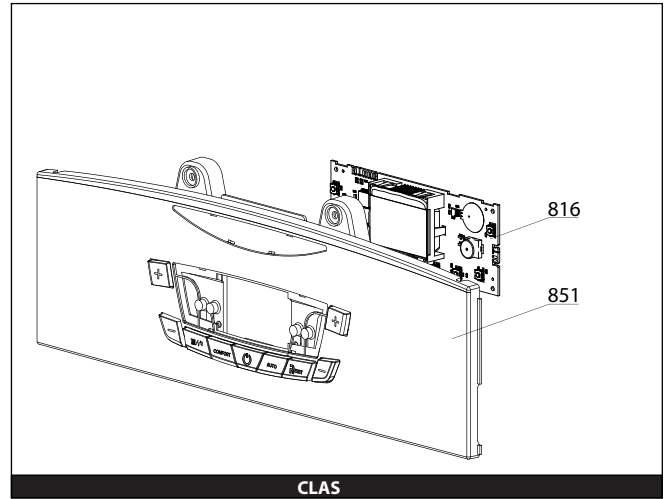
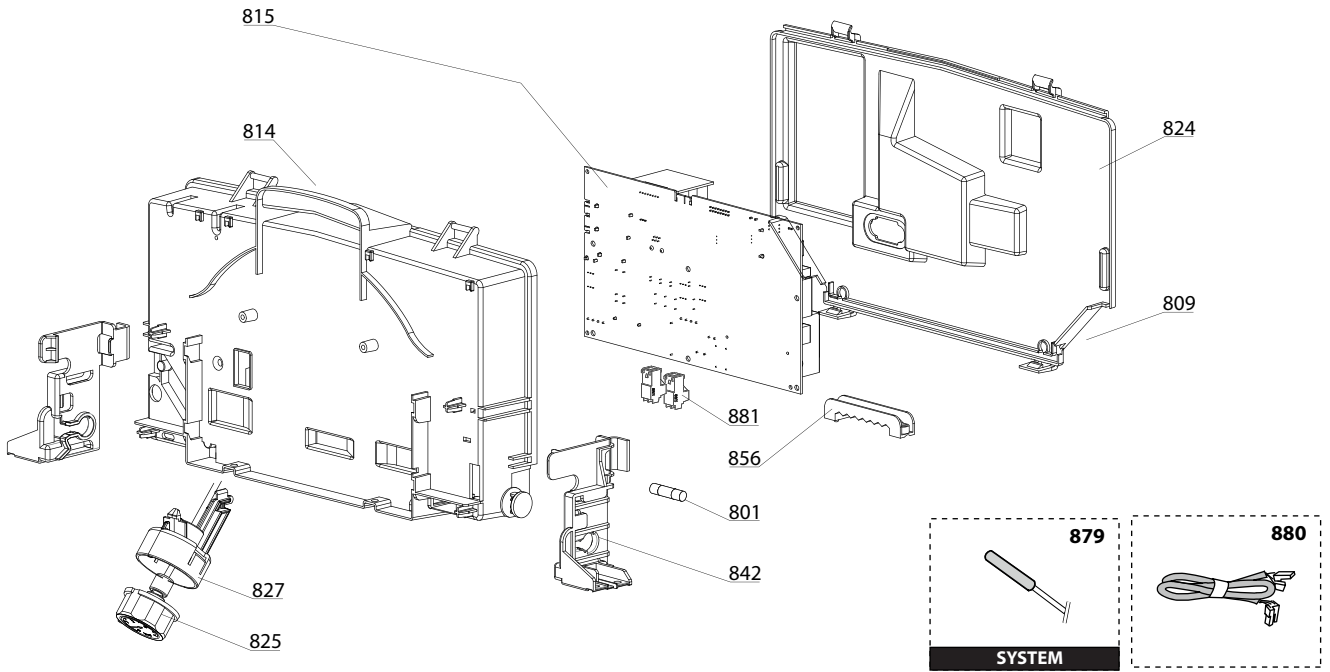
CLAS X

Gas-wall boiler atm. burner

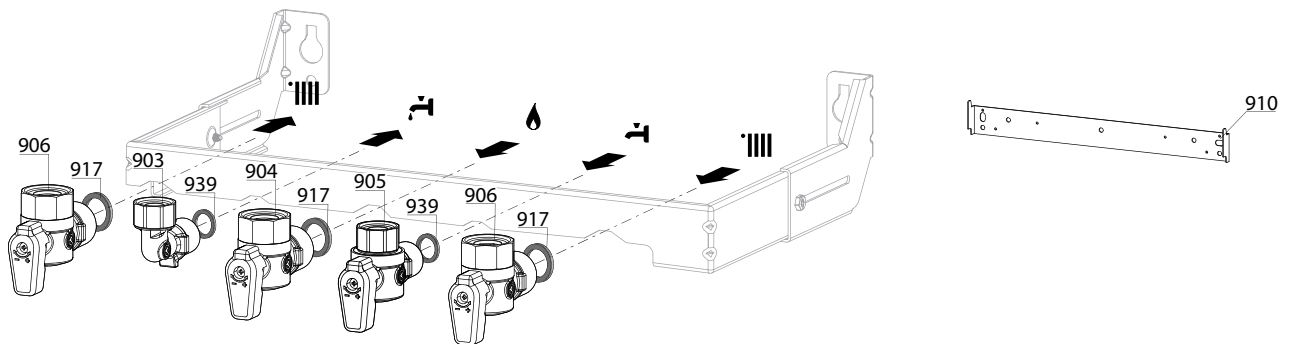


☉⇒	Description	Manf. Pt. N	Type	<div style="display: flex; justify-content: space-between; align-items: center;"> <div style="transform: rotate(-45deg); font-size: small;"> CLAS X SYSTEM 15 CF CLAS X SYSTEM 24 CF CLAS X SYSTEM 15 FF CLAS X SYSTEM 24 FF CLAS X SYSTEM 32 CF </div> <div style="border: 1px solid black; padding: 2px;"> 31 </div> </div>																		From	to
				1	2	3	4	5	6	7	8	9	10	11	12	13	14	15	16	17	18		
0100	BURNER ASSEMBLY																						
0101	ELECTRODE (IGNITION/IONIZATION)	65115802		●	●	●	●	●															
0110	PANELS (KIT)	65104695		●	●																		
	PANELS (KIT)	65105029						●															
	PANELS (KIT)	65106298					●	●															
0111	HEAT EXCHANGER	65104247		●	●																		
	HEAT EXCHANGER	65105041						●															
	HEAT EXCHANGER	65115065					●	●															
0112	BURNER 11NP	65106294					●	●															
	BURNER 13NP	60001582		●	●																		
	BURNER 16NP	60001596						●															
0113	GAS MANIFOLD 11 INJ. D:1.32	65106302	G20				●	●															
	GAS MANIFOLD 13 INJ. D:1.25	65104302	G20	●	●																		
	GAS MANIFOLD 16 INJ. D:1.32	65105997	G20					●															
0200	GAS SECTION																						
0201	GAS VALVE	65115771		●	●	●	●	●															
0204	SPARK GENERATOR	65115791		●	●	●	●	●															
0214	PIPE (GAS VALVE/BURNER)	65115772		●	●	●	●	●															
0216	GROMMET	60000624		●	●	●	●	●															
0217	UNION (3/4»)	65114929		●	●	●	●	●															
0218	UNION (1/2»)	65114930		●	●	●	●	●															
0251	EPDM PIPE	65115773		●	●	●	●	●															
0261	CLIP	60001861		●	●	●	●	●															
0270	GASKET (SPARK GENERATOR)	574279		●	●	●	●	●															
0281	O-RING 22.22X2.62	65104304		●	●	●	●	●															
0283	O-RING 17.17X1.78	65104303		●	●	●	●	●															
0300	FAN ASSEMBLY																						
0301	THERMOSTAT 75-65°C	999539		●	●	●	●	●															
0302	AIR PRESSURE SWITCH 50 Pa	65104671-01				●	●																
	AIR PRESSURE SWITCH 74 Pa	65104672-01						●															
0303	FAN 24 KW	65115813				●	●																
	FAN 28-32 KW	65115814						●															
0310	AIR CONNECTION	65115914				●	●	●															
0313	COMBUSTION CHAMBER 24 CF	65104218		●	●																		
0314	COMBUSTION CHAMBER 24 FF	65115800				●	●																
	COMBUSTION CHAMBER 32/35 FF	65115798						●															
0315	CONDENSATE TRAP	65105349				●	●	●															
0316	PANEL (INSULATION - FAN)	65104305				●	●	●															
0317	SUPPORT (AIR PRESSURE SWITCH)	65115812				●	●	●															
0318	VENTURI 15/24FF	65106516				●	●																
	VENTURI 28/32FF	65118171						●															
0319	RESTRICTOR KIT	60001598		●	●	●	●	●															
0374	CABLE INLET RUBBER WASHER	60000716		●	●	●	●	●															
0400	SEALED CASE																						
0401	EXPANSION VESSEL 8L	65104261		●	●	●	●	●															
0410	PANEL (COMBUSTION CHAMBER)	65104240		●	●																		
	PANEL (COMBUSTION CHAMBER)	65105033						●															
	PANEL (COMBUSTION CHAMBER)	65106296					●	●															
0414	PANEL (FRONT - SEALED CHAMBER)	65105678-02					●	●															
	PANEL (FRONT - SEALED CHAMBER)	65105679-02						●															
0416	SIDE PANELS LEFT + RIGHT - WHITE	65115804		●	●	●	●	●															
0417	CASE PANEL (FRONT)	65115807						●															
	CASE PANEL (FRONT)	65115808-01		●	●	●	●																
0420	EXPANSION VESSEL SUPPORT	65104696		●	●	●	●	●															





900



5000

5001
 Transf. gaz
 Conv. gas
 > **G31**
 (LPG - GPL)
 Trsf. gas
 Transf. gas

5002
 Transf. gaz
 Conv. gas
 > **G20**
 (NAT - MET)
 Trsf. gas
 Transf. gas

5020
 Options
 Accessories
 Opzioni
 Accessorio

☺➔	Description	Manf. Pt. N	Type	CLAS X SYSTEM 15 CF CLAS X SYSTEM 24 CF CLAS X SYSTEM 15 FF CLAS X SYSTEM 24 FF																		From	to
				1	2	3	4	5	6	7	8	9	10	11	12	13	14	15	16	17	18		
0800	ELECTRICAL BOX																						
0809	GROMMET (REGULATION ACCESS)	998382		•	•	•	•	•															
0814	CONTROL PANEL COVER (FRONT)	65115784		•	•	•	•	•															
0815	P.C.B. (MAIN)	65115783-01		•	•	•	•	•															
0816	P.C.B. (DISPLAY)	65115776		•	•	•	•	•															
0824	CONTROL PANEL COVER (REAR)	65115785		•	•	•	•	•															
0825	PRESSURE GAUGE 0-4 BAR D27MM KPL.	65114200		•	•	•	•	•															
0827	SUPPORT (PRESSURE GAUGE)	65115809		•	•	•	•	•															
0842	SIDE COVER SUPPORT	65115810								•													
	SIDE COVER SUPPORT	65115811		•	•	•	•																
0851	FRONT CONTROL PANEL COMPLETE	65115774								•													
	FRONT CONTROL PANEL COMPLETE	65115775		•	•	•	•																
0856	CABLE CLAMP	65103377		•	•	•	•	•															
0879	BOILER THERMISTOR TEMP. SENSOR	60000454		•	•	•	•	•															
0880	3-WAY VALVE CABLE	65116234		•	•	•	•	•															
	CABLE (IONIZATION ELECTRODE)	60001883		•	•	•	•	•															
	DISPLAY WIRING - 5 WIRES BLUES	60000746		•	•	•	•	•															
	EARTH WIRE	65104286		•	•	•	•	•															
	FAN CABLE	60001902		•	•	•	•	•															
	FEEDER 240V	60001619		•	•	•	•	•															
	NTC - PRES SWITCH CABLE	65115787						•	•	•													
	NTC - PRES SWITCH CABLE	65115789		•	•																		
	PUMP 2V CABLE 5M WILO	65104520	WILO	•	•	•	•	•															
0881	CONNECTOR 2P	65111933		•	•	•	•	•															
	CONNECTOR 3P (x5)	65111934-01		•	•	•	•	•															
0900	JIG PLATE & PIPE FITTING																						
0903	HOT WATER CONNECTION	60000891		•	•	•	•	•															
0904	GAS SERVICE TAP	60000898		•	•	•	•	•															
0905	COLD WATER TAP	60000894		•	•	•	•	•															
0906	WATER FLOW & RETURN SERVI. TAP	60000885		•	•	•	•	•															
0910	WALL HOOK	60000625		•	•	•	•	•															
0917	SHEET GASKET D: 24-17-1.5	60061855-19		•	•	•	•	•															
0939	WASHER D: 18.4-12.2-1.5	60061855-14		•	•	•	•	•															

LIST OF THE ABBREVIATIONS

HW	: Hot water.
CW	: Cold water.
C	: Ceramic resistance (normal heating).
Ca	: Ceramic resistance (accelerated heating)
TP	: Immersion heater.
1F	: With fittings.
2F	: Without fittings.
3F	: With fittings and another outlet connection.
AMI	: With mixing valve.
SMI	: Without mixing valve.
PUISS	: Power of th appliance.
PN	: Appliance with normal pression.
LP	: Appliance with low pression.
PV	: Appliance with variable power.
PF	: Appliance with fixed power.

IDENTIFICATION PLATE

SERIAL NUMBER

10 Characters :	04 05 125 011	Sequential number Manufacturing day Year of manufacture
11 Characters :	1 95 065004 - 31	Technical number of the appliance Sequential number Year of manufacture
Month of manufacture : from 1 to 9 → Jan. to Sep., O → Oct., N → Nov., D → Dec.		
19 Characters :	08 05 0013199 900640031	Product reference Sequential number
Year of manufacture Month of manufacture		
20 Characters :	3675007 XX 2 07 070 00315	Sequential number Manufacturing day Year of manufacture
Product reference Millenium of manufacture		
21 Characters :	3675007 XX 07 070 0000315	Sequential number Manufacturing day
Product reference Year of manufacture		