



ARISTON

SPARE PARTS EXPLODED VIEW GAS-WALL CONDENSING BOILERS

Model

ALTEAS ONE - GENUS ONE

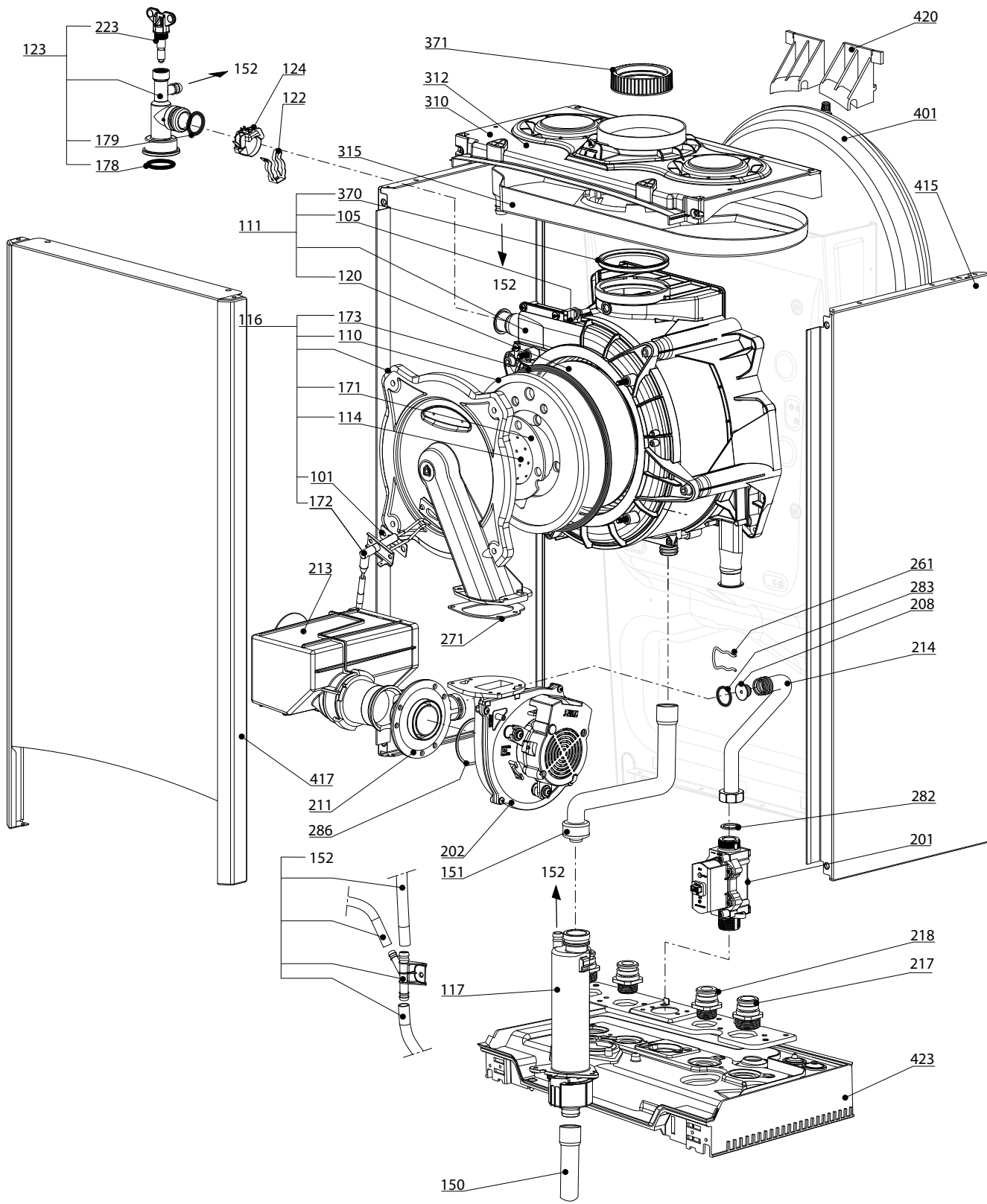
R8203485-06 - 09/11/2018

ALTEAS ONE - GENUS ONE

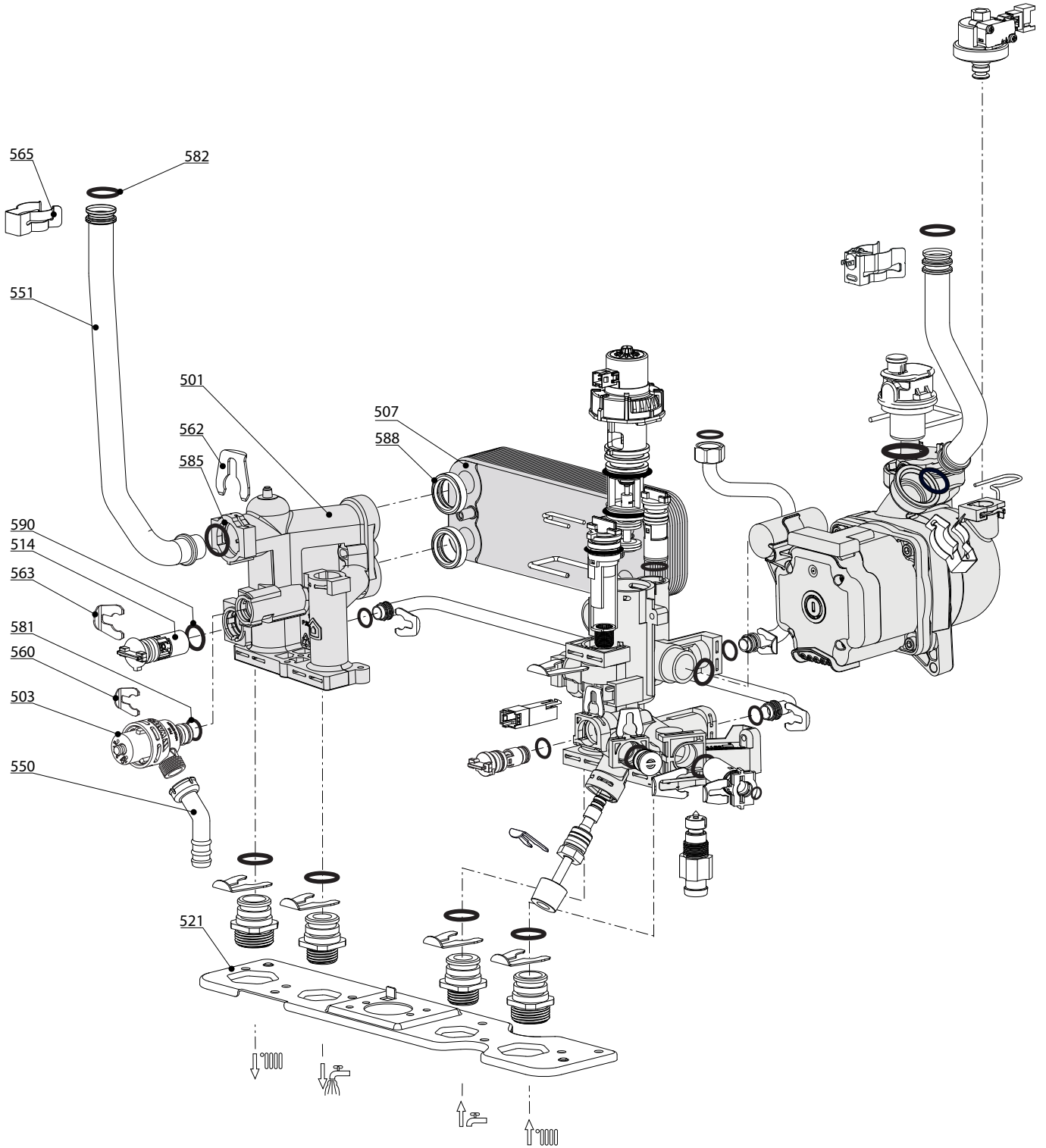
Gas-wall condensing boilers

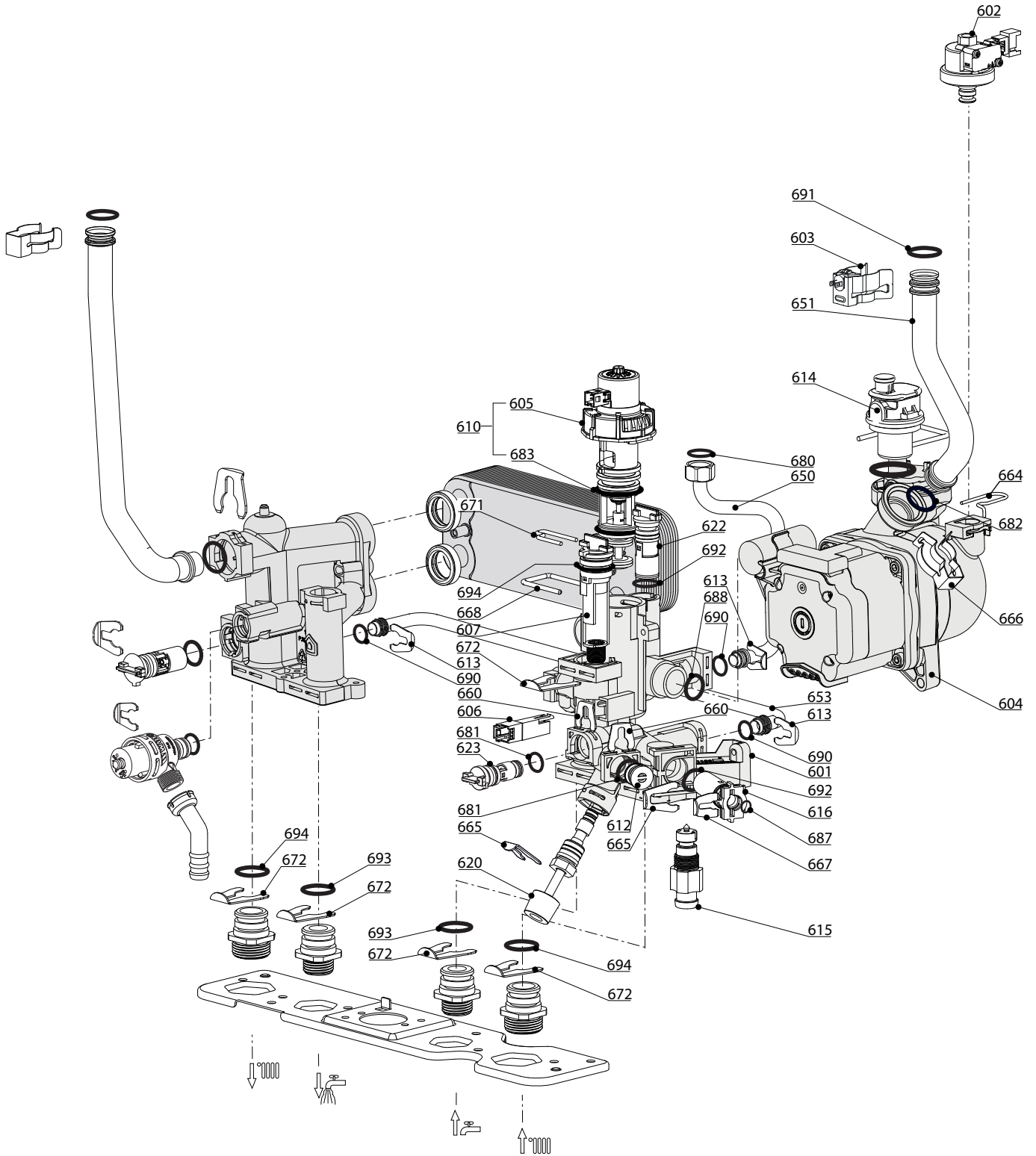
1	3301058	ALTEAS ONE NET 24	07-2017	-
2	3301059	ALTEAS ONE NET 30	07-2017	-
3	3301060	ALTEAS ONE NET 35	07-2017	-
4	3301018	GENUS ONE 24	07-2017	-
4	3301113	GENUS ONE NET 24	07-2017	-
5	3301019	GENUS ONE 30	07-2017	-
5	3301114	GENUS ONE NET 30	07-2017	-
6	3301020	GENUS ONE 35	07-2017	-
6	3301115	GENUS ONE NET 35	07-2017	-
7	3301025	GENUS ONE SYSTEM 12	07-2017	-
8	3301026	GENUS ONE SYSTEM 18	07-2017	-
9	3301027	GENUS ONE SYSTEM 24	07-2017	-
10	3301028	GENUS ONE SYSTEM 30	07-2017	-
11	3301029	GENUS ONE SYSTEM 35	07-2017	-

Col	Reference	Model type	Begin	End
-----	-----------	------------	-------	-----



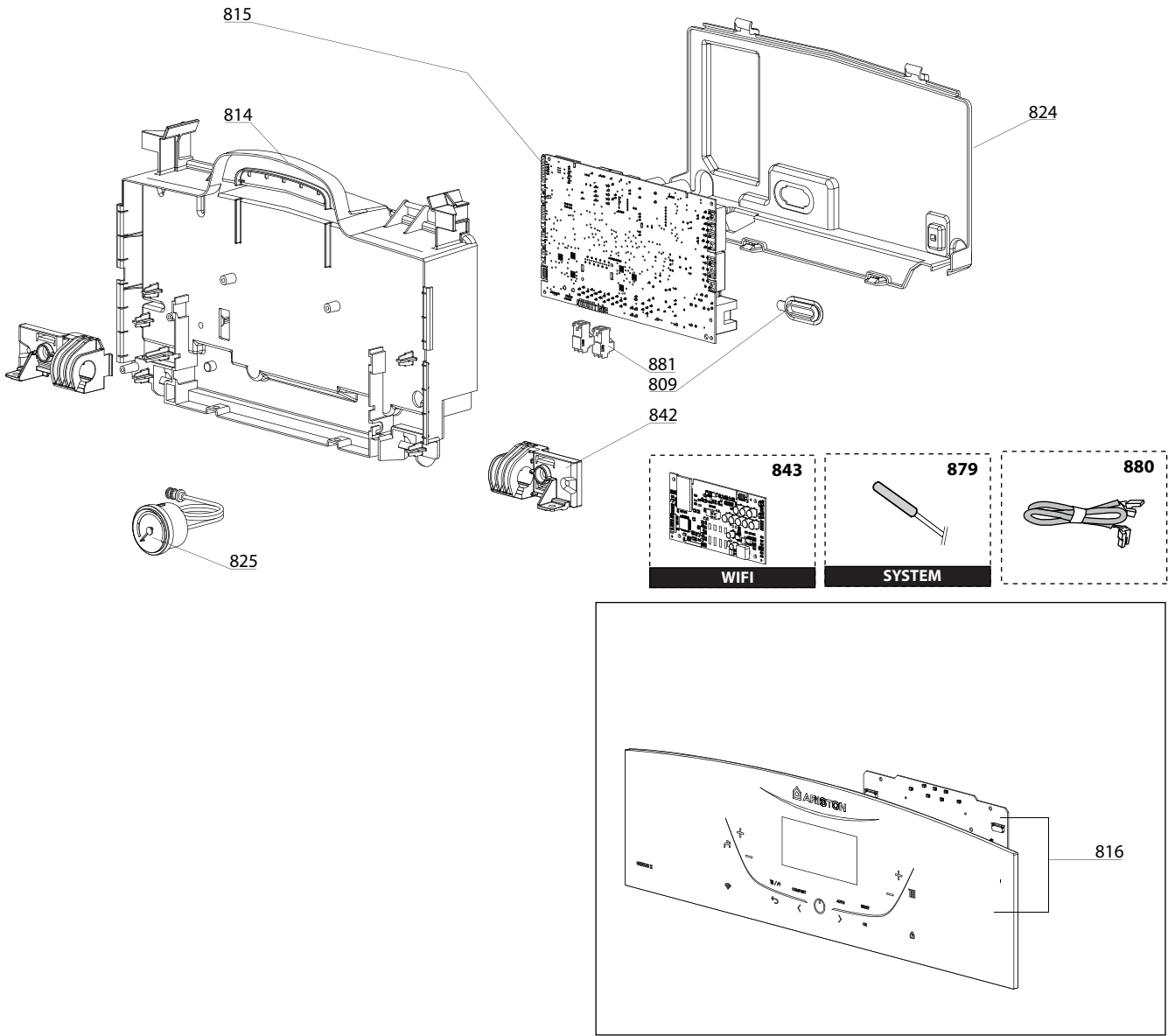
☉⇒	Description	Manf. Pt. N	Type	<div style="position: absolute; top: -50px; left: 50%; transform: translate(-50%, -50%); white-space: nowrap;"> ALTEA ONE 24 ALTEA ONE 30 ALTEA ONE 35 GENIUS ONE GENIUS ONE (NET) 24 GENIUS ONE (NET) 30 GENIUS ONE (NET) 35 GENIUS ONE SYST. 12 GENIUS ONE SYST. 18 GENIUS ONE SYST. 24 GENIUS ONE SYST. 30 </div>																		From	to
				1	2	3	4	5	6	7	8	9	10	11	12	13	14	15	16	17	18		
0100	BURNER ASSEMBLY																						
0101	IGNITION ELECTRODE	65116556		●	●	●	●	●	●	●	●	●	●										
0110	INSULATION (FRONT PANEL)	65116512		●	●	●	●	●	●	●	●	●	●										
0111	EXCHANGER 24KW	65116695-01		●			●			●	●	●											
	EXCHANGER 30KW	65116696-01			●							●											
	EXCHANGER 35KW	65116697-01				●							●										
0114	BURNER 24KW	65116514		●			●			●	●	●											
	BURNER 30KW	65116561			●			●					●										
	BURNER 35KW	65116573				●			●								●						
0116	DOOR ASSY	65116515		●	●	●	●	●	●	●	●	●	●	●	●	●	●	●	●				
0117	CONDENSATE TRAP	65117391		●	●	●	●	●	●	●	●	●	●	●	●	●	●	●	●				
0120	PANEL (INSULATION - REAR)	65116047		●	●	●	●	●	●	●	●	●	●	●	●	●	●	●	●				
0122	CLIP	65116517		●	●	●	●	●	●	●	●	●	●	●	●	●	●	●	●				
0123	AIR VENT	65116518		●	●	●	●	●	●	●	●	●	●	●	●	●	●	●	●				
0124	TEMPERATURE PROBE + CLIP	990686-01		●	●	●	●	●	●	●	●	●	●	●	●	●	●	●	●				
0150	TUBE PVC D:19 L:500	60000976		●	●	●	●	●	●	●	●	●	●	●	●	●	●	●	●				
0151	FLEXIBLE PIPE	65116519		●	●	●	●	●	●	●	●	●	●	●	●	●	●	●	●				
0152	CONNECTION Y + TUBES	65117078		●	●	●	●	●	●	●	●	●	●	●	●	●	●	●	●				
0171	GASKET	65116521		●	●	●	●	●	●	●	●	●	●	●	●	●	●	●	●				
0172	GASKET (IGNITION ELECTRODE)	65116263		●	●	●	●	●	●	●	●	●	●	●	●	●	●	●	●				
0173	DOOR GASKET	60000623		●	●	●	●	●	●	●	●	●	●	●	●	●	●	●	●				
0178	O-RING 17.86X2.62	61308091		●	●	●	●	●	●	●	●	●	●	●	●	●	●	●	●				
0179	O-RING 18X2.8	65116846		●	●	●	●	●	●	●	●	●	●	●	●	●	●	●	●				
0200	GAS SECTION																						
0201	GAS VALVE	65116557		●	●	●	●	●	●	●	●	●	●	●									
0202	FAN	65116558		●	●	●	●	●	●	●	●	●	●	●									
0208	GAS DIAPHRAGM D: 3.3 mm	65116893										●							10/18				
	GAS DIAPHRAGM D: 5.6 mm	65116525		●			●					●	●						10/18				
	GAS DIAPHRAGM D: 6.0 mm	65116562			●			●					●						10/18				
	GAS DIAPHRAGM D: 6.3 mm	65116575				●			●										10/18				
0211	VENTURI	65116524		●	●	●	●	●	●	●	●	●	●	●	●	●	●	●	10/18				
	VENTURI 12KW	65118162										●							11/18				
	VENTURI 25KW	65118163		●			●					●	●						11/18				
	VENTURI 30KW	65118164			●			●						●					11/18				
	VENTURI 35KW	65118165				●			●							●			11/18				
0213	SILENCER 12 KW	65116816-01											●										
	SILENCER 24-30 KW	65116526-01		●	●		●	●				●	●	●									
	SILENCER 35 KW	65116576-01				●				●						●							
0214	GAS PIPE 24KW	65116527		●			●				●	●	●										
	GAS PIPE 30KW	65116563			●			●					●										
	GAS PIPE 35KW	65116577				●			●								●						
0217	UNION (3/4")	65114929		●	●	●	●	●	●	●	●	●	●	●	●	●	●	●	●				
0218	UNION (1/2")	65114930		●	●	●	●	●	●	●	●	●	●	●	●	●	●	●	●				
0223	DRAIN SCREW	65116528		●	●	●	●	●	●	●	●	●	●	●	●	●	●	●	●				
0261	CLIP	65116529		●	●	●	●	●	●	●	●	●	●	●	●	●	●	●	●				
0271	FAN GASKET	65116530		●	●	●	●	●	●	●	●	●	●	●	●	●	●	●	●				
0282	SHEET GASKET D: 24-18.2-1.5	60022835-01		●	●	●	●	●	●	●	●	●	●	●	●	●	●	●	●				
0283	O-RING 17,86X2,62	60002766		●	●	●	●	●	●	●	●	●	●	●	●	●	●	●	●				
0286	GASKET	60001878		●	●	●	●	●	●	●	●	●	●	●	●	●	●	●	●				
0300	FAN ASSEMBLY																						
0310	CASE COVER ASSY	65116531		●			●				●	●	●										
	CASE COVER ASSY	65116564			●	●		●	●					●	●								
0312	FLUE INTAKE PLUG	65104295		●	●	●	●	●	●	●	●	●	●	●	●	●	●	●	●				
0315	SPLASH PREVENTER	65116536		●	●	●	●	●	●	●	●	●	●	●	●	●	●	●	●				
0370	SEALING RING 80mm	60002815-01		●	●	●	●	●	●	●	●	●	●	●	●	●	●	●	●				
0371	GASKET	60000316		●	●	●	●	●	●	●	●	●	●	●	●	●	●	●	●				
0400	SEALED CASE																						
0401	EXPANSION VESSEL 8L	65104261		●	●	●	●	●	●	●	●	●	●	●	●	●	●	●	●				
0415	SIDE PANELS LEFT + RIGHT	65117304					●					●	●	●									
	SIDE PANELS LEFT + RIGHT	65117305		●																			
	SIDE PANELS LEFT + RIGHT	65117306								●	●					●	●						
	SIDE PANELS LEFT + RIGHT	65117307			●	●																	
0417	CASE PANEL (FRONT)	65116533		●	●	●																	
	CASE PANEL (FRONT)	65116568					●	●	●				●	●	●	●	●	●	●				
0420	EXPANSION VESSEL SUPPORT 8L	65116534		●	●	●	●	●	●	●	●	●	●	●	●	●	●	●	●				
0423	PLATE WIRE BOX 18-24 KW	65116535		●			●					●	●	●									
	PLATE WIRE BOX 30-35KW	65116566			●	●			●	●						●	●						



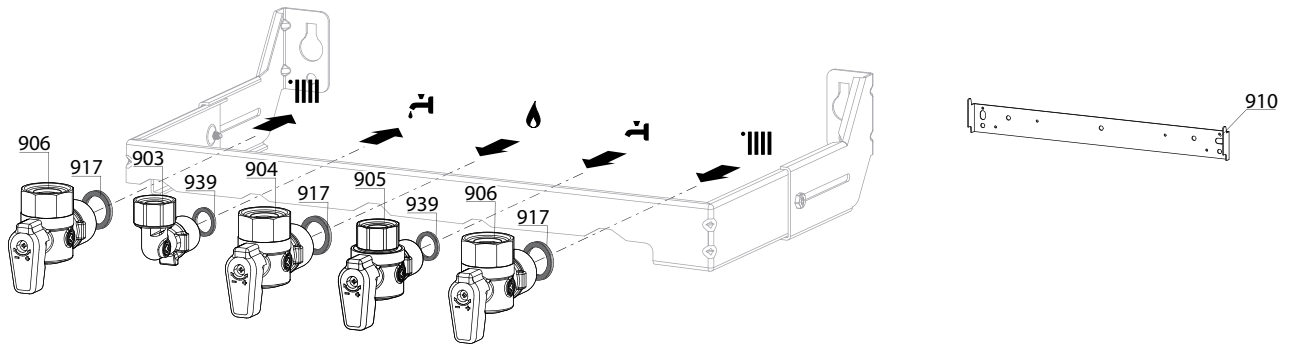


☉⇒	Description	Manf. Pt. N	Type	<div style="display: flex; justify-content: space-between; font-size: small;"> ALTEA ONE 24 ALTEA ONE 30 ALTEA ONE 35 GENIUS ONE (NET) 24 GENIUS ONE (NET) 30 GENIUS ONE (NET) 35 GENIUS ONE SYST. 12 GENIUS ONE SYST. 18 GENIUS ONE SYST. 24 GENIUS ONE SYST. 30 </div>																		From	to
				1	2	3	4	5	6	7	8	9	10	11	12	13	14	15	16	17	18		
0600	RETURN GROUP																						
0601	RETURN GROUP	65116540		●	●	●	●	●	●	●	●	●	●	●	●	●	●	●	●		06/18		
	RETURN GROUP	65116613										●	●	●	●	●	●	●	●				
	RETURN GROUP	65117953		●	●	●	●	●	●	●	●	●	●	●	●	●	●	●	●		07/18		
0602	PRESSURE SWITCH (PROPORTIONAL)	65115793		●	●	●	●	●	●	●	●	●	●	●	●	●	●	●	●				
0603	TEMPERATURE PROBE + CLIP	990686-01		●	●	●	●	●	●	●	●	●	●	●	●	●	●	●	●				
0604	PUMP 5M PWM TACO	65116908-01	TACO	●	●	●	●	●	●	●	●	●	●	●	●	●	●	●	●				
0605	MOTOR (3-WAY VALVE)	65114936		●	●	●	●	●	●	●	●	●	●	●	●	●	●	●	●				
0606	SENSOR (REED)	65114921-01		●	●	●	●	●	●	●	●	●	●	●	●	●	●	●	●				
0607	FLOW METER	65114919		●	●	●	●	●	●	●	●	●	●	●	●	●	●	●	●				
0610	MOTOR + SPRING 3 WAY VALVE KIT	65114924		●	●	●	●	●	●	●	●	●	●	●	●	●	●	●	●				
0612	PLUG	65114920		●	●	●	●	●	●	●	●	●	●	●	●	●	●	●	●				
0613	CLIP D10	65104260		●	●	●	●	●	●	●	●	●	●	●	●	●	●	●	●				
0614	AUTO AIR VENT - PANASONIC	65116392	PANA.	●	●	●	●	●	●	●	●	●	●	●	●	●	●	●	●				
	AUTO AIR VENT - TACO ENER+	65112086	TACO	●	●	●	●	●	●	●	●	●	●	●	●	●	●	●	●				
0615	DRAIN COCK	65114922		●	●	●	●	●	●	●	●	●	●	●	●	●	●	●	●				
0616	WATER FILTER	65114923		●	●	●	●	●	●	●	●	●	●	●	●	●	●	●	●				
0620	FILLING TAP KIT	65116541		●	●	●	●	●	●	●	●	●	●	●	●	●	●	●	●				
0622	BY-PASS	65114917		●	●	●	●	●	●	●	●	●	●	●	●	●	●	●	●				
0623	NON-RETURN VALVE	65114918		●	●	●	●	●	●	●	●	●	●	●	●	●	●	●	●				
0650	PIPE (EXPANSION VESSEL)	65116542		●	●	●	●	●	●	●	●	●	●	●	●	●	●	●	●				
0651	PIPE (C.H. RETURN)	65116543		●	●	●	●	●	●	●	●	●	●	●	●	●	●	●	●				
0653	BY-PASS PIPE	65116210		●	●	●	●	●	●	●	●	●	●	●	●	●	●	●	●		06/18		
	BY-PASS PIPE	65116210										●	●	●	●	●	●	●	●				
0660	CLIP	65114933		●	●	●	●	●	●	●	●	●	●	●	●	●	●	●	●				
0664	CLIP	65104322		●	●	●	●	●	●	●	●	●	●	●	●	●	●	●	●				
0665	CLIP	65114932		●	●	●	●	●	●	●	●	●	●	●	●	●	●	●	●				
0666	CLIP	60000309		●	●	●	●	●	●	●	●	●	●	●	●	●	●	●	●				
0667	CLIP	65100680		●	●	●	●	●	●	●	●	●	●	●	●	●	●	●	●				
0668	CLIP	65114927		●	●	●	●	●	●	●	●	●	●	●	●	●	●	●	●				
0671	CLIP	65114926		●	●	●	●	●	●	●	●	●	●	●	●	●	●	●	●				
0672	CLIP	65114931		●	●	●	●	●	●	●	●	●	●	●	●	●	●	●	●				
0680	GASKET 3/8"	573521		●	●	●	●	●	●	●	●	●	●	●	●	●	●	●	●				
0681	O-RING 9.9X2.62	65114937		●	●	●	●	●	●	●	●	●	●	●	●	●	●	●	●				
0682	O-RING 17.04X3.53	65104262		●	●	●	●	●	●	●	●	●	●	●	●	●	●	●	●				
0683	O-RING 23.47X2.62	65114939		●	●	●	●	●	●	●	●	●	●	●	●	●	●	●	●				
0687	O-RING 5.7X1.9	61009834-10		●	●	●	●	●	●	●	●	●	●	●	●	●	●	●	●				
0688	O-RING 21.89X2.62	65104320		●	●	●	●	●	●	●	●	●	●	●	●	●	●	●	●				
0690	O-RING 8.9X2.7	61009834-14		●	●	●	●	●	●	●	●	●	●	●	●	●	●	●	●				
0691	O-RING 17.86X2.62	61308091		●	●	●	●	●	●	●	●	●	●	●	●	●	●	●	●				
0692	O-RING 11.91X2.62	65114940		●	●	●	●	●	●	●	●	●	●	●	●	●	●	●	●				
0693	O-RING 15,88X2,62	65114941		●	●	●	●	●	●	●	●	●	●	●	●	●	●	●	●				
0694	O-RING 17.13X2.62	65114938		●	●	●	●	●	●	●	●	●	●	●	●	●	●	●	●				

800



900



5000

- | | |
|---|---|
| <p>5001
 Transf. gaz
 Conv. gas
 Trasn. gas
 Transf. gas</p> | <p>5020
 Options
 Accessories
 Opzioni
 Accessorio</p> |
|---|---|

☞	Description	Manf. Pt. N	Type	ALTEA ONE 24 ALTEA ONE 30 ALTEA ONE 35 GENIUS ONE (NET) 24 GENIUS ONE (NET) 30 GENIUS ONE (NET) 35 GENIUS ONE SYST. 12 GENIUS ONE SYST. 18 GENIUS ONE SYST. 24 GENIUS ONE SYST. 30																		From	to		
				1	2	3	4	5	6	7	8	9	10	11	12	13	14	15	16	17	18				
0800	ELECTRICAL BOX																								
0809	GROMMET (REGULATION ACCESS)	998382		•	•	•	•	•	•	•	•	•	•	•											
0814	CONTROL PANEL COVER (FRONT)	65116544		•	•	•	•	•	•	•	•	•	•	•											
0815	P.C.B. (MAIN)	65116545-02		•	•	•	•	•	•	•	•	•	•	•											
0816	P.C.B. (DISPLAY)	65116788-02		•	•	•	•	•	•	•	•	•	•	•											
	P.C.B. (DISPLAY)	65116789-02		•	•	•																			
0824	CONTROL PANEL COVER (REAR)	65116547		•	•	•	•	•	•	•	•	•	•	•											
0825	PRESSURE GAUGE 0-4 BAR D27MM KPL.	65114200		•	•	•	•	•	•	•	•	•	•	•											
0842	SIDE COVER SUPPORT	65116548		•	•	•	•	•	•	•	•	•	•	•											
0843	WI-FI BOARD	65117311		•	•	•																			
0879	BOILER THERMISTOR TEMP. SENSOR	60000454									•	•	•	•											
0880	3-WAY VALVE CABLE	65116584		•	•	•	•	•	•																
	3-WAY VALVE CABLE	65116815									•	•	•	•											
	CABLE (FAN)	65116579		•	•	•	•	•	•	•	•	•	•	•											
	CABLE (IGNITION ELECTRODE)	65116583		•	•	•	•	•	•	•	•	•	•	•											
	DISPLAY WIRING - 5 WIRES BLUES	60000746		•	•	•	•	•	•	•	•	•	•	•											
	EARTH WIRE	65104286		•	•	•	•	•	•	•	•	•	•	•											
	FEEDER 240V	60001619		•	•	•	•	•	•	•	•	•	•	•											
	GAS VALVE CABLE	65116580		•	•	•	•	•	•	•	•	•	•	•											
	NTC CABLE	65116717		•	•	•	•	•	•	•	•	•	•	•											
	PUMP CABLE TACO	65117069	TACO	•	•	•	•	•	•	•	•	•	•	•											
	WIRING (WI-FI BOARD)	65115826		•	•	•																			
0881	CONNECTOR 2P	65111933		•	•	•	•	•	•	•	•	•	•	•											
	CONNECTOR 3P (x5)	65111934-01		•	•	•	•	•	•	•	•	•	•	•											
0900	JIG PLATE & PIPE FITTING																								
0903	HOT WATER CONNECTION	60000891		•	•	•	•	•	•	•	•	•	•	•											
0904	GAS SERVICE TAP	60000898		•	•	•	•	•	•	•	•	•	•	•											
0905	COLD WATER TAP	60000895		•	•	•	•	•	•	•	•	•	•	•											
0906	WATER FLOW & RETURN SERVI. TAP	60000885		•	•	•	•	•	•	•	•	•	•	•											
0910	WALL HOOK	60000625		•	•	•	•	•	•	•	•	•	•	•											
0917	SHEET GASKET D: 24-17-1.5	60061855-19		•	•	•	•	•	•	•	•	•	•	•											
0939	WASHER D: 18.4-12.2-1.5	60061855-14		•	•	•	•	•	•	•	•	•	•	•											
5000	ACCESSORIES																								
5020	KIT THERMOREGULATION	65116700						•	•	•															
	KIT THERMOREGULATION	65116718		•	•	•																			
	RIDUCTORS (KIT)	65116836		•	•	•	•	•	•	•	•	•	•	•											

LIST OF THE ABBREVIATIONS

HW	: Hot water.
CW	: Cold water.
C	: Ceramic resistance (normal heating).
Ca	: Ceramic resistance (accelerated heating)
TP	: Immersion heater.
1F	: With fittings.
2F	: Without fittings.
3F	: With fittings and another outlet connection.
AMI	: With mixing valve.
SMI	: Without mixing valve.
PUISS	: Power of th appliance.
PN	: Appliance with normal pression.
LP	: Appliance with low pression.
PV	: Appliance with variable power.
PF	: Appliance with fixed power.

IDENTIFICATION PLATE

SERIAL NUMBER

10 Characters :	04 05 125 011		
		Sequential number	
		Manufacturing day	
		Year of manufacture	
11 Characters :	1 95 065004 - 31		
Month of manufacture :		Technical number of the appliance	
from 1 to 9 → Jan. to Sep.,		Sequential number	
O → Oct., N → Nov.,		Year of manufacture	
D → Dec.			
19 Characters :	08 05 0013199 900640031		
Year of manufacture		Product reference	
Month of manufacture		Sequential number	
20 Characters :	3675007 XX 2 07 070 00315		
Product reference		Sequential number	
Millenium of manufacture		Manufacturing day	
		Year of manufacture	
21 Characters :	3675007 XX 07 070 0000315		
Product reference		Sequential number	
Year of manufacture		Manufacturing day	